

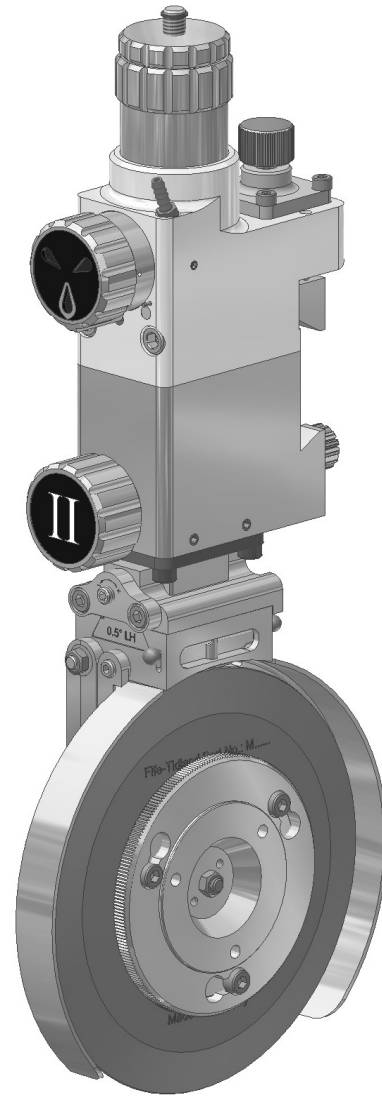
Tidland Series C, the 'all-rounder'

The Tidland series C is a compact pneumatic knifeholder designed for a wide range of applications and different materials. With its high flexibility in slit technology (shear, crush and razor cut), size (class I, II, III) and parameter adaptations the series C knifeholder will be the perfect partner in slitting.

The optimal configuration of the series C knifeholder for your special requirements can be easily achieved by a selection of various parameters such as an interchangeable cant key, adjustable slitting force, blade overlap (including fine adjustment) or a wide range of blade types.

Due to the unique control knob handling during set-up is kept as easy as possible. Together with the possibility of an 'offline' blade change, thanks to the changeable blade cartridge, blade lock and quick clamp, the safety of daily handling is always ensured.

The Tidland series C knifeholder can be ordered with a wide range of additional equipment such as 360° blade guard (pneumatic / mechanical), special rigid behaviour or positioning support with the use of multiple slit bottom rings.



FEATURES

SPECS

General Specifications

Blade diameter:
90/150/200mm

Min. slit width:
25/33/50/76mm

Down stroke:
16/25,4mm

Side shift:
1,8/4/6mm

Max. machine speed:
1000/1600/3000m/min

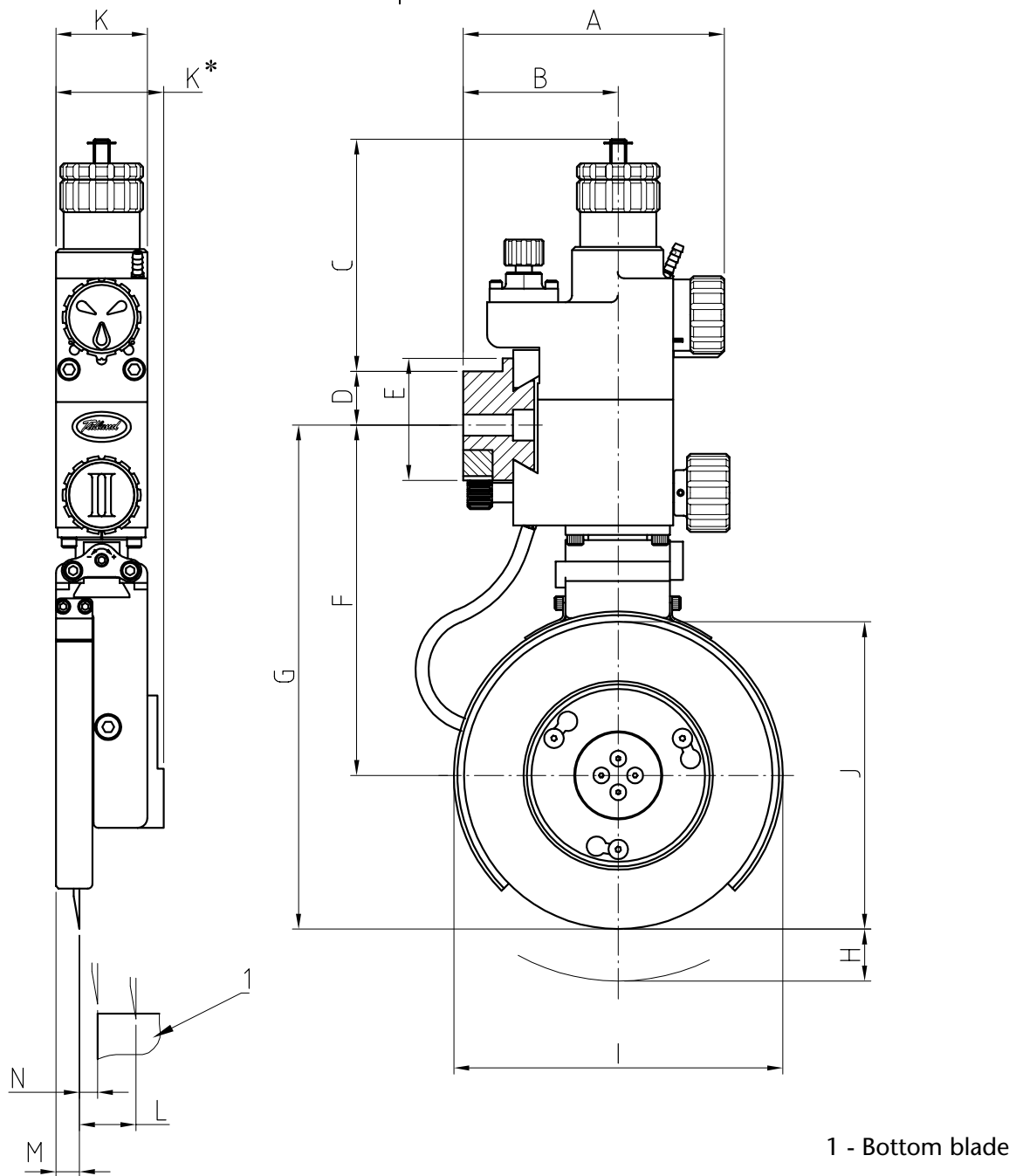
Supported air pressure:
4-6bar

Slitting method:
Shear-, crush-, razor cut

Features

- Unique control knob for safe and easy set-up and handling
- Wide range of set-up parameters (e.g. size, cant key, overlap, slit force, ...)
- Exact blade to blade adjustment due to the special 'half-stroke-feature' and automated blade shifts
- Reducing set-up time and increasing of safety of blade changes due to the changeable blade cartridge including blade lock and 'Bayonett'-quick clamp

Knifholder Dimension



1 - Bottom blade

Dim. [mm]	A	B	C	D	E	F	G	H	I	J	K	K*	L	M	N
Class I-25	112	61,7	90	27,4	48	122,5	167,4	16	99	90	25,4	-	1,8	4,1	0,8
Class I-33	112	61,7	90	27,4	48	122,5	167,4	16	99	90	-	33	4	4,3	2
Class II	127	75,4	113,3	26,2	59,5	171	246,1	25,4	160	150	44,5	-	4	11,4	2
Class III	152	88,1	113,3	26,2	59,5	196,5	296,5	25,4	211	200	70	-	6	22,4	3

Fife-Tidland GmbH

Fifestraße 1, 65779 Kelkheim, Deutschland
 Siemensstraße 13-15, 48683 Ahaus, Deutschland
 Phone: +49-6195-7002-0
 Fax: +49-6195-7002-933
 E-Mail: info@maxcess.eu
 Web: www.maxcess.eu

Fife-Tidland Ltd.

Millennium House - Progress Way
 Denton/Manchester M34 2GP Great Britain
 Phone: +44-161-320-2000
 Fax: +44-161-320-4513
 E-Mail: sales_uk@maxcess.eu
 Web: www.maxcess.eu

Tidland Corporation

2305 SE 8th Avenue
 Camas, WA 98607 USA
 Phone: +1-360-834-2345
 Fax: +1-360-834-5865
 E-Mail: tidland@tidland.com
 http://www.tidland.com



MAXCESS INTERNATIONAL COMPANIES



GUIDING · INSPECTION



TENSION CONTROL



SLITTING · WINDING