



Tidland Model W19

Ultra-Narrow Shear Slitting Knifeholder

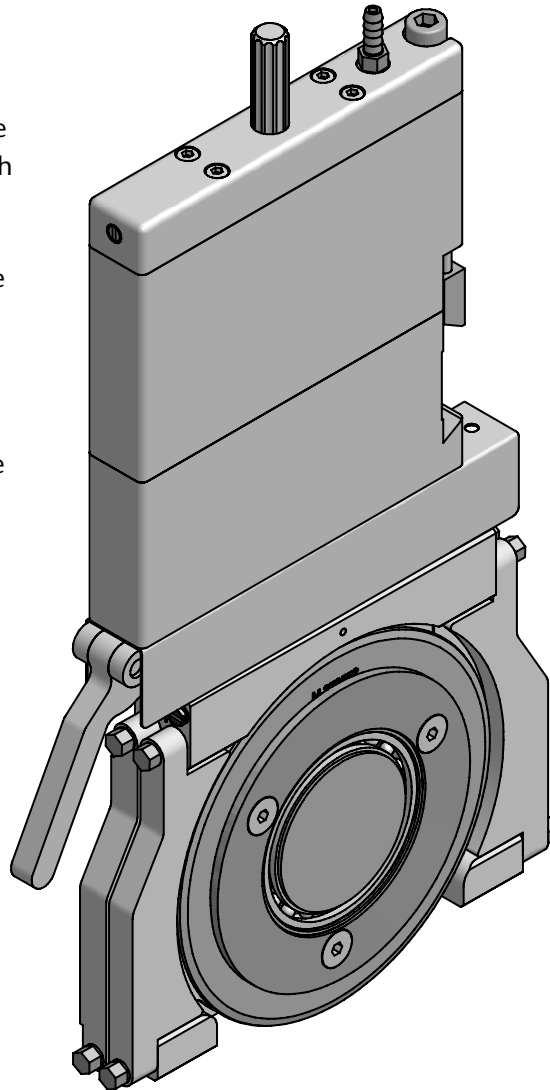
Best quality with narrow slits

The Tidland W19 knifeholder combines all the advantages of the Tidland swing cartridge with a rigid and robust design, achieving a minimum slit width of only 19mm, while delivering best slit quality and extended blade life.

The Tidland W19 knifeholder also features a reference finger for quick and precise adjustment of the knifeholder position relative to the anvil blade.

No tools are required to remove the quick release blade cartridge from the knifeholder body. When performing this operation, the blade is easily removed from the front of the knifeholder without the need for any space at the sides. This allows the knifeholder to remain in its slitting position on the guide bar when replacing the blade.

This unique feature of the Tidland W19 significantly reduces the system downtime, since the knifeholder is immediately ready to work as no repositioning is required after the blade change.



FEATURES

SPECS

General Specifications

Blade Diameter
105mm

Minimum Slit Width
19mm

Side shift (Blade)
2mm

Down stroke (Cartridge)
20mm

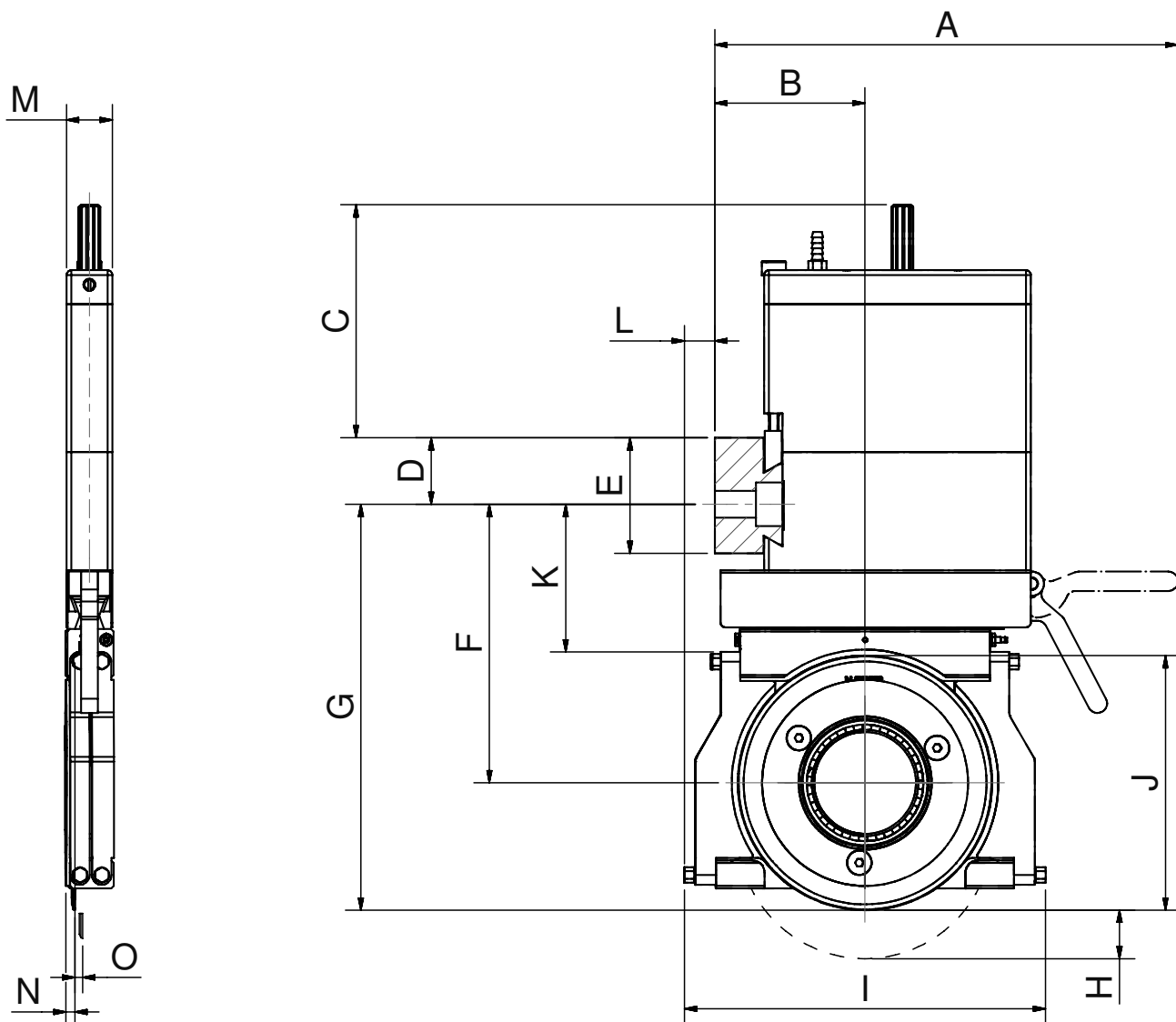
Maximum Slitting Speed
1600m/min

Recommended Air Pressure
3 - 6bar

Features

- Robust double-rod construction to withstand harsh industrial environments
- Integrated Reference finger for precise blade position setting
- Uses 180° reversible blade cartridge, allowing use of both sides of the anvil ring, extending blade life
- No tools required for blade cartridge removal
- Fully compatible with Tidland C1 knifeholders and dovetail guide bar
- 360° mechanical blade guard available as option

W19 Dimensions



Size	Web path	A	B	C	D	E	F	G	H	I	J	K	L	M	N	O
mm	A	192	61,7	96	27,4	48	115	167,4	20	149	105	61	12,5	19	3,7	2
	B		67,9													

Fife-Tidland GmbH

Fifestraße 1, 65779 Kelkheim, Deutschland
 Siemensstraße 13-15, 48683 Ahaus, Deutschland
 Phone: +49-6195-7002-0
 Fax: +49-6195-7002-933
 E-Mail: info@maxcess.eu
 Web: www.maxcess.eu

Fife-Tidland Ltd.

Millennium House - Progress Way
 Denton/Manchester M34 2GP Great Britain
 Phone: +44-161-320-2000
 Fax: +44-161-320-4513
 E-Mail: sales_uk@maxcess.eu
 Web: www.maxcess.eu

Tidland Corporation

P.O.Box 1008 Camas, WA 98607, USA
 Phone: +1-360-834-2345
 Toll-Free: +1-800-426-1000
 Fax: +1-360-834-5865
 E-Mail: tidland@tidland.com
 http://www.maxcessintl.com



MAXCESS INTERNATIONAL COMPANIES



GUIDING · INSPECTION



TENSION CONTROL



SLITTING · WINDING